

## 10W - KS.FL10H



### Features:

- ◆ EMC、EMI and CE approved, recognized by the Dekra from Germany
- ◆ Professional optical design, the lumen can reach above 90lm/W
- ◆ Structural waterproof design, IP65 waterproof rate
- ◆ Drive and separate power supply design, PF≥0.9
- ◆ High transmittance glass + special reflector designed so that a uniform light-emitting surface and no glare

### Application:

- ◆ Widely used in roads, highways, elevated roads, squares, schools, parks, etc.



### Technical Parameters (Single Color):

Light Source: Small Power SMD2835 LED

Brand: Epistar

Qty: 24PCS

Maximum Power: 10W

LED Color: Warm White, Neutral White, Pure White

Beam Angle: 120°

Lumen: 90-110lm/w

Power Factor: 0.93

CRI: ≥ 80 Ra

Input Voltage: AC85~265V/50-60Hz

Drive Mode: Constant Current Drive

Power Cable: 3\*0.5 PVC Cable, 200mm length

IP Rate: IP65

Environment Temperature: -20°C~50°C

Storage Temperature: -40°C~70°C

Life Span: ≥30000 hrs

### Structure Parameter:

Lamp Body: Industrial Plastic Injection

Heat Dissipation: Aluminum

Light Distribution: Professional Chrome Reflective Cup

### Packing Details:

Carton: 460\*265\*175mm

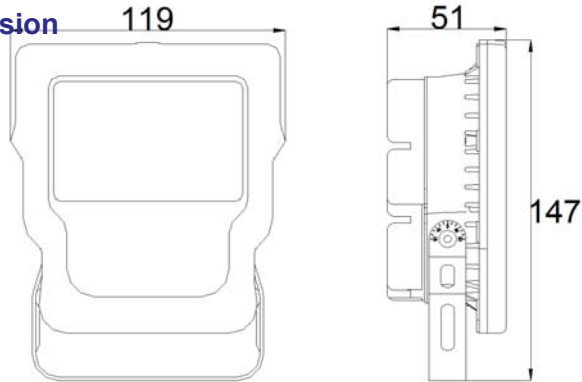
Material: K=K

Qty: 16PCS/CTN

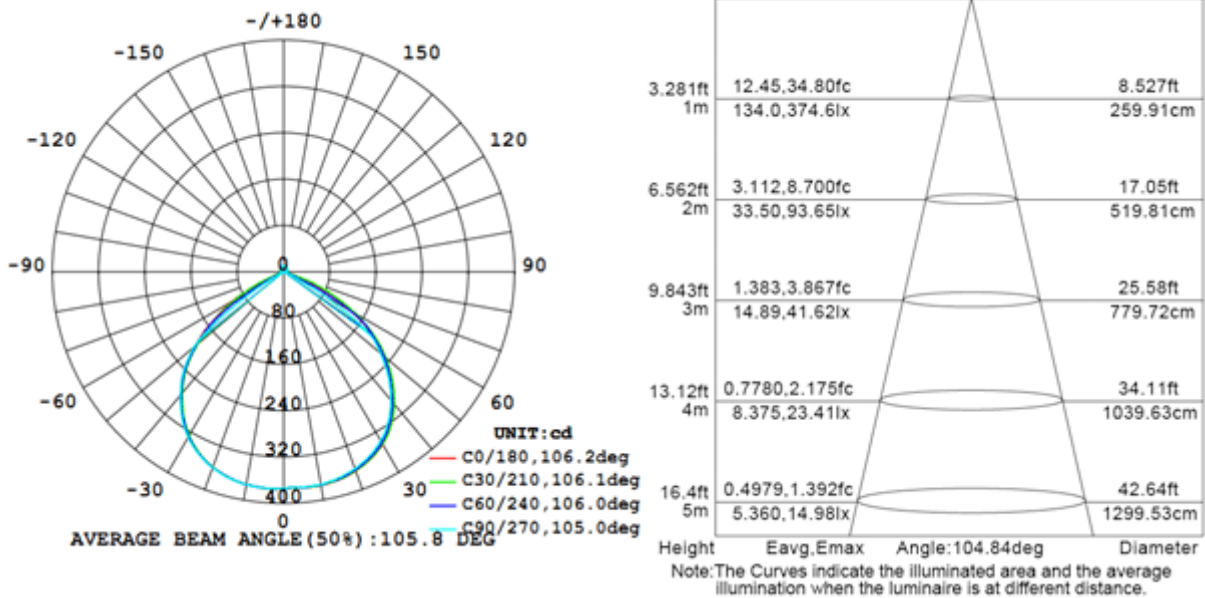
G.W.: 6.56KG

## 10W - KS.FL10H

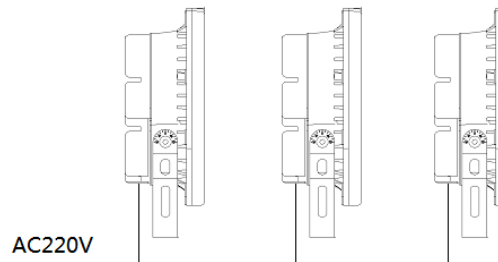
### Product Dimension



### Light Distribution (Ra80, 4000K)



### System Wiring Diagram



### Optional Product Specifications

Item	Name	Model No.	Voltage	Power	Color	LED Qty	Beam Angle
1	LED Flood Light	KS.FL.H.10.W.00A	AC220V	10W	2800-3200K	24	120°
2	LED Flood Light	KS.FL.H.10.N.00A	AC220V	10W	3750-4750K	24	120°
3	LED Flood Light	KS.FL.H.10.P.00A	AC220V	10W	5500-6500K	24	120°

## 20W - KS.FL20H



### Features:

- ◆ EMC、EMI and CE approved, recognized by the Dekra from Germany
- ◆ Professional optical design, the lumen can reach above 90lm/W
- ◆ Structural waterproof design, IP65 waterproof rate
- ◆ Drive and separate power supply design, PF≥0.9
- ◆ High transmittance glass + special reflector designed so that a uniform light-emitting surface and no glare

### Application:

- ◆ Widely used in roads, highways, elevated roads, squares, schools, parks, etc.



### Technical Parameters (Single Color):

Light Source: Small Power SMD2835 LED

Brand: Epistar

Qty: 48PCS

Maximum Power: 20W

LED Color: Warm White, Neutral White, Pure White

Beam Angle: 120°

Lumen: 90-110lm/w

Power Factor: 0.93

CRI: ≥ 80 Ra

Input Voltage: AC85~265V/50-60Hz

Drive Mode: Constant Current Drive

Power Cable: 3\*0.5 PVC Cable, 200mm length

IP Rate: IP65

Environment Temperature: -20°C~50°C

Storage Temperature: -40°C~70°C

Life Span: ≥30000 hrs

### Structure Parameter:

Lamp Body: Industrial Plastic Injection

Heat Dissipation: Aluminum

Light Distribution: Professional Chrome Reflective Cup

### Packing Details:

Carton: 410\*360\*200

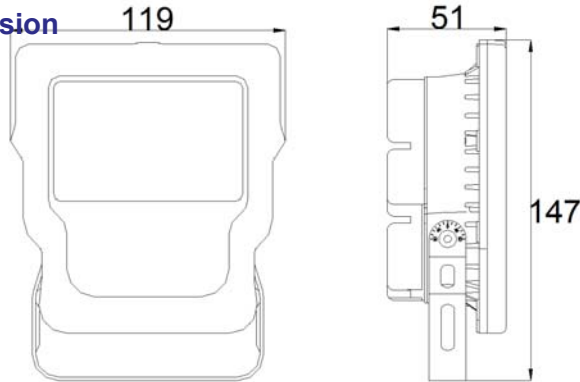
Material: K=K

Qty: 12PCS/CTN

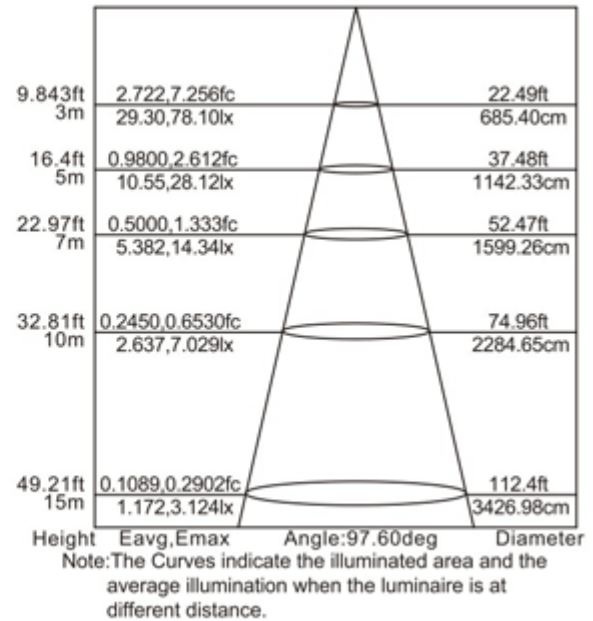
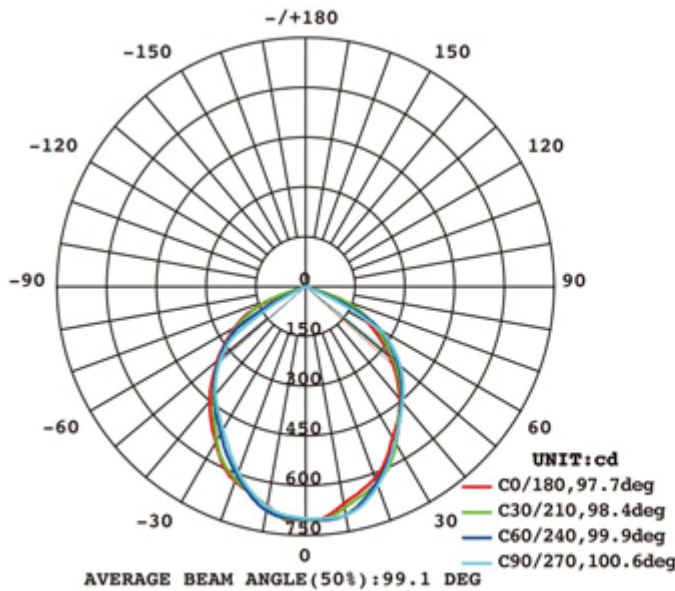
G.W.: 7.48KG

## 20W - KS.FL20H

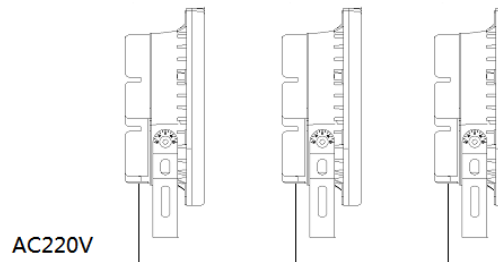
### Product Dimension



### Light Distribution (Ra80, 4000K)



### System Wiring Diagram



### Optional Product Specifications

Item	Name	Model No.	Voltage	Power	Color	LED Qty	Beam Angle
1	LED Flood Light	KS.FL.H.20.W.00A	AC220V	20W	2800-3200K	48	120°
2	LED Flood Light	KS.FL.H.20.N.00A	AC220V	20W	3750-4750K	48	120°
3	LED Flood Light	KS.FL.H.20.P.00A	AC220V	20W	5500-6500K	48	120°

## 30W - KS.FL30H



### Features:

- ◆ EMC、EMI and CE approved, recognized by the Dekra from Germany
- ◆ Professional optical design, the lumen can reach above 90lm/W
- ◆ Structural waterproof design, IP65 waterproof rate
- ◆ Drive and separate power supply design, PF≥0.9
- ◆ High transmittance glass + special reflector designed so that a uniform light-emitting surface and no glare

### Application:

- ◆ Widely used in roads, highways, elevated roads, squares, schools, parks, etc.



### Technical Parameters (Single Color):

Light Source: Small Power SMD2835 LED

Brand: Epistar

Qty: 72PCS

Maximum Power: 30W

LED Color: Warm White, Neutral White, Pure White

Beam Angle: 120°

Lumen: 90-110lm/w

Power Factor: 0.93

CRI: ≥ 80 Ra

Input Voltage: AC85~265V/50-60Hz

Drive Mode: Constant Current Drive

Power Cable: 3\*0.5 PVC Cable, 200mm length

IP Rate: IP65

Environment Temperature: -20°C~50°C

Storage Temperature: -40°C~70°C

Life Span: ≥30000 hrs

### Structure Parameter:

Lamp Body: Industrial Plastic Injection

Heat Dissipation: Aluminum

Light Distribution: Professional Chrome Reflective Cup

### Packing Details:

Carton: 430\*360\*200

Material: K=K

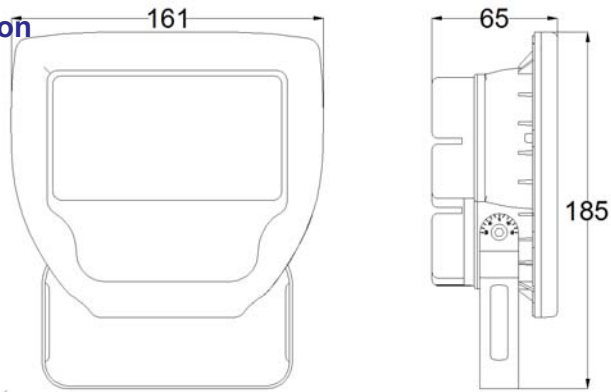
Qty: 12PCS/CTN

G.W.: 7.92KG



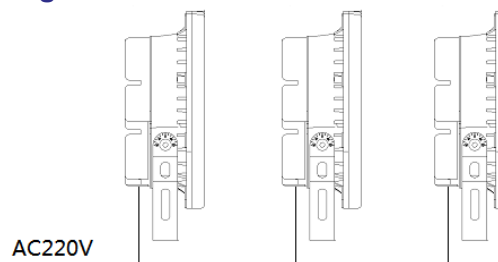
## 30W - KS.FL30H

### Product Dimension



### Light Distribution (Ra80, 4000K)

### System Wiring Diagram



### Optional Product Specifications

序号	名称	型号	电压	功率	颜色	LED数量	光束角
1	LED Flood Light	KS.FL.H.30.W.00A	AC220V	30W	2800-3200K	72	120°
2	LED Flood Light	KS.FL.H.30.N.00A	AC220V	30W	3750-4750K	72	120°
3	LED Flood Light	KS.FL.H.30.P.00A	AC220V	30W	5500-6500K	72	120°

## 50W - KS.FL50H



### Features:

- ◆ EMC、EMI and CE approved, recognized by the Dekra from Germany
- ◆ Professional optical design, the lumen can reach above 90lm/W
- ◆ Structural waterproof design, IP65 waterproof rate
- ◆ Drive and separate power supply design, PF≥0.9
- ◆ High transmittance glass + special reflector designed so that a uniform light-emitting surface and no glare

### Application:

- ◆ Widely used in roads, highways, elevated roads, squares, schools, parks, etc.



### Technical Parameters (Single Color):

Light Source: Small Power SMD2835 LED

Brand: Epistar

Qty: 120PCS

Maximum Power: 50W

LED Color: Warm White, Neutral White, Pure White

Beam Angle: 120°

Lumen: 90-110lm/w

Power Factor: 0.93

CRI: ≥ 80 Ra

Input Voltage: AC85~265V/50-60Hz

Drive Mode: Constant Current Drive

Power Cable: 3\*0.5 PVC Cable, 200mm length

IP Rate: IP65

Environment Temperature: -20°C~50°C

Storage Temperature: -40°C~70°C

Life Span: ≥30000 hrs

### Structure Parameter:

Lamp Body: Industrial Plastic Injection

Heat Dissipation: Aluminum

Light Distribution: Professional Chrome Reflective Cup

### Packing Details:

Carton: 420\*240\*205

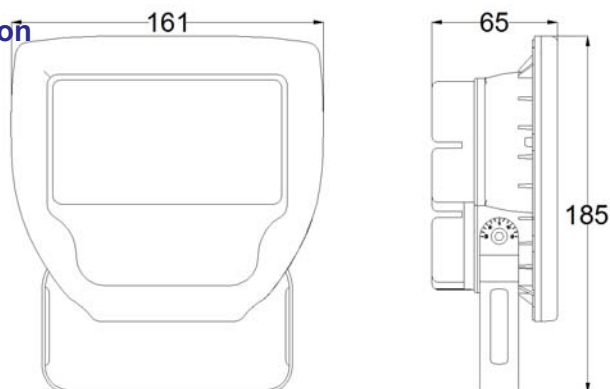
Material: K=K

Qty: 5PCS/CTN

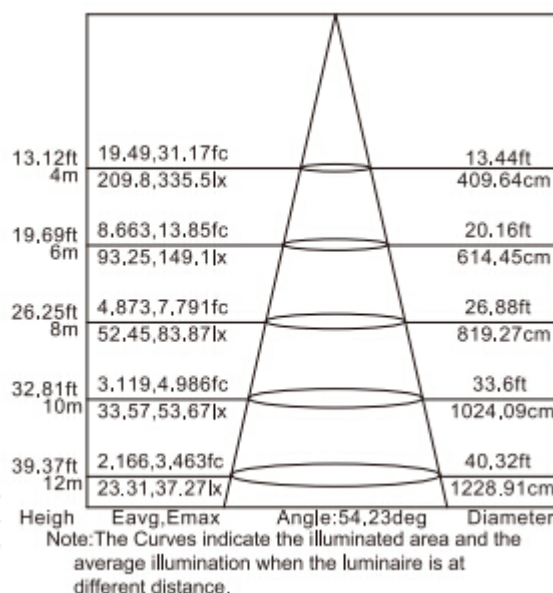
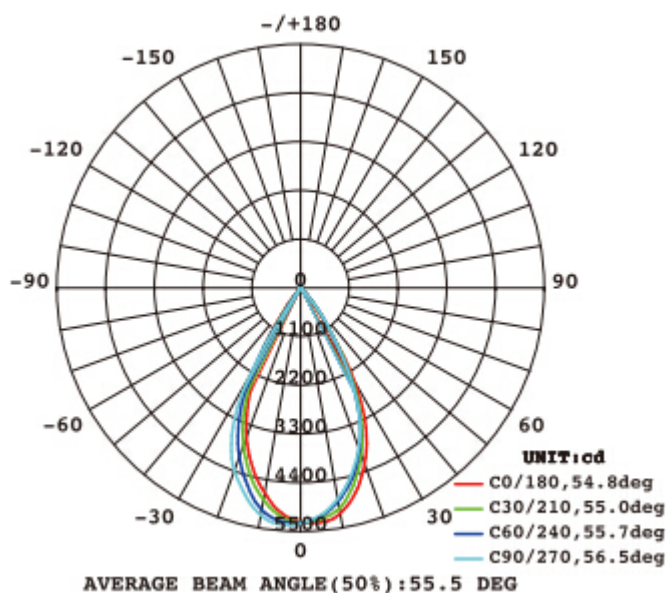
G.W.: 5.46KG

## 50W - KS.FL50H

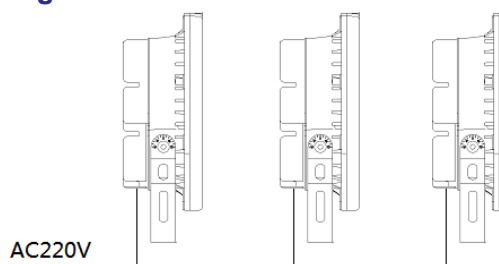
### Product Dimension



### Light Distribution (Ra80, 4000K)



### System Wiring Diagram



### Optional Product Specifications

Item	Name	Model No.	Voltage	Power	Color	LED Qty	Beam Angle
1	LED Flood Light	KS.FL.H.50.W.00A	AC220V	50W	2800-3200K	120	120°
2	LED Flood Light	KS.FL.H.50.N.00A	AC220V	50W	3750-4750K	120	120°
3	LED Flood Light	KS.FL.H.50.P.00A	AC220V	50W	5500-6500K	120	120°